

R600 Cold Air Intake

MQB 1.8 / 2.0 TSI

FITTING INSTRUCTIONS



WHAT'S IN THE KIT?

- ✓ R600 Lid
- ✓ R600 Base
- ✓ Foam or Cotton Filter
- ✓ 2 x Rubber Grommets
- ✓ 11 x T20 Self Tap Screws

REQUIRED TOOLS AND PARTS

- ✓ T20 Torx Bit or Screwdriver
- ✓ 7mm Socket/Spanner
- ✓ Hose Clamp Pliers or Pliers

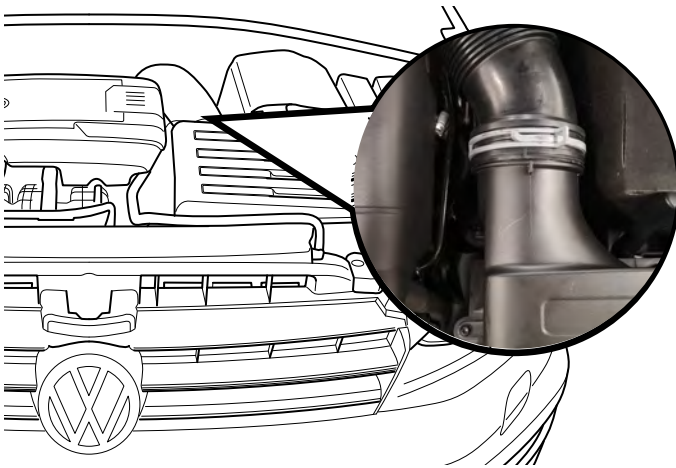
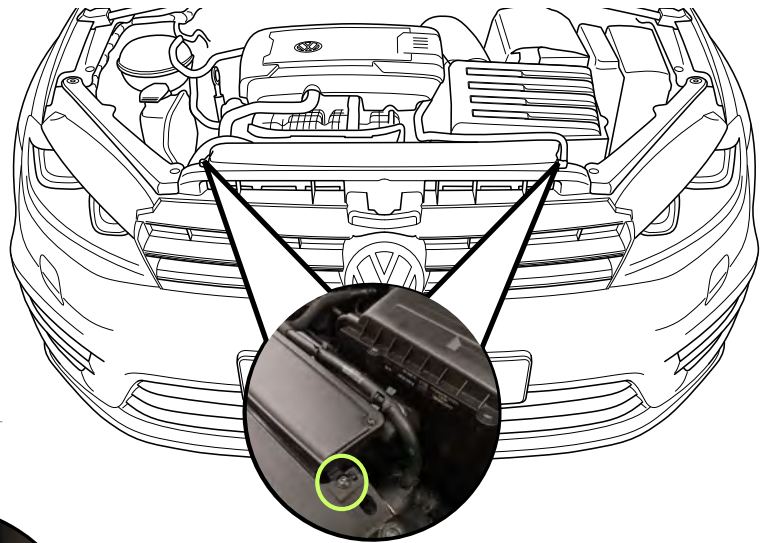
FITTING NOTES

- ✓ Air filter kits are of great importance to providing the engine with the cleanest and correct volume of air. They should therefore be fitted with the utmost care and attention.
- ✓ It is recommended that they are fitted by persons possessing the necessary expertise i.e. a trained vehicle technician.
- ✓ Regional and model variances do occur across the vehicles that this part is intended for, which may lead to some minor differences between descriptions and pictures shown in this document. If in doubt, please contact your distributor or Volkswagen Racing UK
- ✓ Where left and right are referred to in these instructions, they mean when viewed looking into the engine bay from the front of the car.



Step 1:

OEM Intake Removal - The first step in fitting your R600 kit is to remove the standard airbox. Start by removing the two T20 Torx screws that attach the airbox inlet lid mounted on the radiator support (or slam panel).



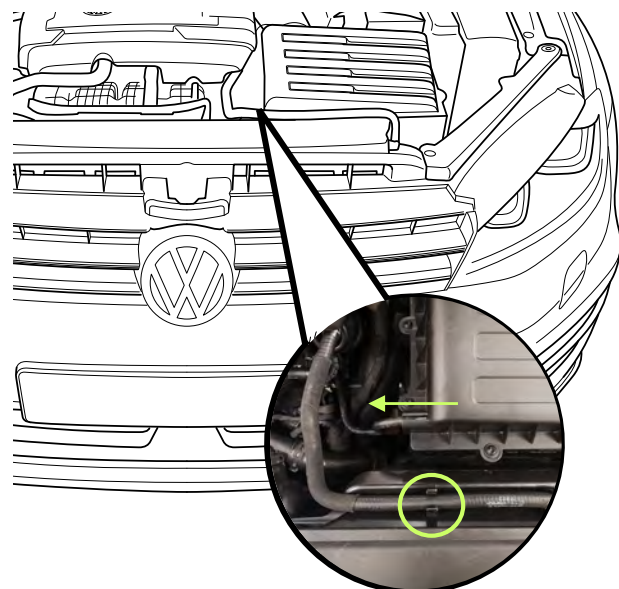
Step 2:

With the airbox removed you now need to remove the standard moulded plastic turbo pipe, using a pair of proper hose clamp pliers. You need to fit the pliers onto the two tabs of the hose clamp and squeeze the clamp open. With the clip released, pull the hose backwards (this may take a little force) and remove it from the airbox.

Step 3:

Next remove the top coolant pipe running across the standard airbox lid.

Then pull the vac pipe off the airbox



Step 4:

With the airbox pipes and screw removed you are now ready to remove the standard airbox, start by pulling the air filter box to the right hand of the image. One loose, carefully remove the two parts of the airbox.

Next remove the water drain tube and re-fit to your R600 airbox.



Step 5:

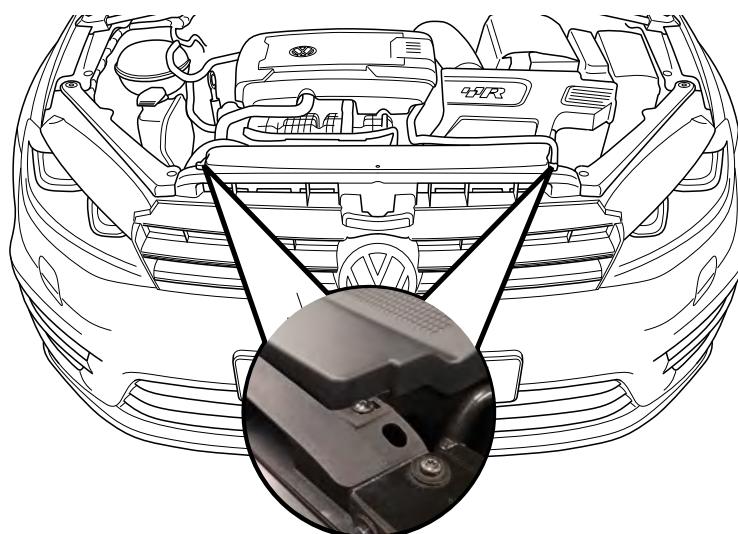
Installation of R600 Intake – First insert the 2 x rubber grommets supplied and then pre-assemble the filter and lid onto the base.

Next carefully slide your new R600 intake under the top water pipe and into position above the radiator and below the radiator support. (Take care not to knock the water drain tube off)

Making Sure the airbox is seated (Ensure the rubber mounting in the base of the airbox are aligned correctly). Push down on the intake until it locates on the rubber mounts.

Step 6:

Next Using the OEM screws you removed in Step 1, Screw the two front taps into place on the radiator support.



Step 7:

Now re-fit the vac pipe and moulded pipe – recheck all hose clips and bolts.

All VWR filter come pre-oiled and are ready to use. Please ensure you read the instruction for maintenance in order to keep your VWR Intake System operating in peak performance.

